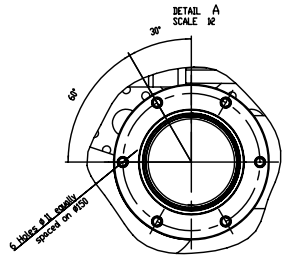
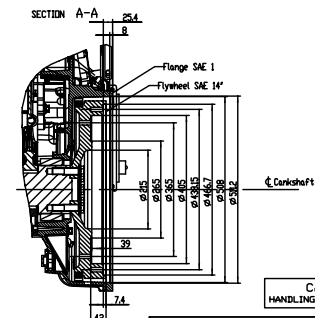


9	Pipe #10 Fuel Return	
8	Pipe #10 Fuel Inlet	
7	TPPD+TPD Low Oil Pressure + Oil Pressure	
6	TATA+TTA Higt Water Temperature - Water temperature	
5	TIFA Dust Load Indicator	
4	Interface BUX	
3	TS Vector Heater Resistor Switch	
2	RS Vector Heater Resistor	
1	TBLA Low Water Level Sensor	
Pos.	Des.	Denomination



CAD DRAWING
HANDLING ON CAD SYSTEM ONLY

Project	15	Rev	1	Author		Checker		Date	
Design		Drawn		Checked		Approved			
Scale	1:1	Material		Quantity		Unit			
Part Name	SCHEMA INGOMBRO								
Part Description	Engine for Genset								
Manufacturer	IVECO								
Part Number	503112810 D A 62-9710								

CURSOR 13 TE IVECO SPA