



The Source for Power...
Worldwide™

CSG-649

Gasoline – Natural Gas – LPG 6 Cylinder 4.9 Litre (300 CID)

SPECIFICATIONS

Bore and Stroke 4.00 in. (101.6 mm) x 3.98 in.
(101.1 mm)
Displacement (300 CID) 4.9 Liter
Compression Ratio 8.3:1
Oil Capacity 7.0 Qts. (6.6 Liters) (Including Filter)
Net Weight, Dry 473 Lbs. (215 kgs.)

Gasoline:

Fuel Specification 87 RON/MON
Gross Power 124 HP (93 kW) @ 3600 rpm
Continuous Power 101 HP (75 kW) @ 2800 rpm
Gross Torque 241 Ft. Lbs. (322 N•m) @ 2000 rpm
Continuous Torque 205 Ft. Lbs. (274 N•m) @ 2000 rpm

Natural Gas:

Fuel Specification 1050 BTU/SCF
Gross Power 110 HP (82 kW) @ 3600 rpm
Continuous Power 83 HP (62 kW) @ 2800 rpm
Gross Torque 200 Ft. Lbs. (267 N•m) @ 2000 rpm
Continuous Torque 170 Ft. Lbs. (227 N•m) @ 2000 rpm

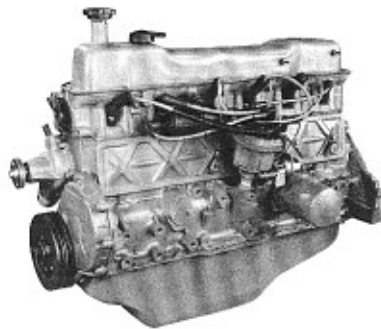
LP Gas:

Fuel Specification ASI Grade HD-5
Gross Power 124 HP (93 kW) @ 3600 rpm
Continuous Power 94 HP (70 kW) @ 2800 rpm
Gross Torque 219 Ft. Lbs. (293 N•m) @ 1800 rpm
Continuous Torque 186 Ft. Lbs. (248 N•m) @ 1800 rpm

STANDARD FEATURES

- **Cylinder Block** – high grade cast iron with seven main bearings for maximum rigidity combined with full length water jackets surrounding each cylinder minimizes distortion and reduces wear.
- **Modern Valve Train** – the engine incorporates a gear driven camshaft, hydraulic valve lifters, self-aligning pedestal-mounted rocker arms, and exhaust valve rotators which combined with the alloy cast iron cylinder head provides for long life maintenance free operation.
- **Multi-Fuel Capability** – use of valve seat inserts with standard premium quality valves enables operation on natural gas or LPG fuels.
- **Deep-Skirted Aluminum Alloy Pistons** – maintain a precise and stable fit in the bore, hot or cold. Steel struts help control expansion.
- **Full Pressure Lubrication** – with full-flow filtration prolongs bearing service life. Rotor-type oil pump maintains a high volume oil supply over the full range of operating speeds.

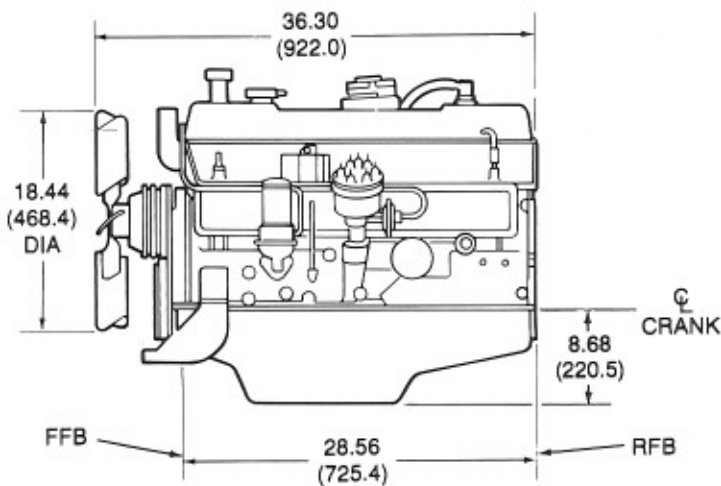
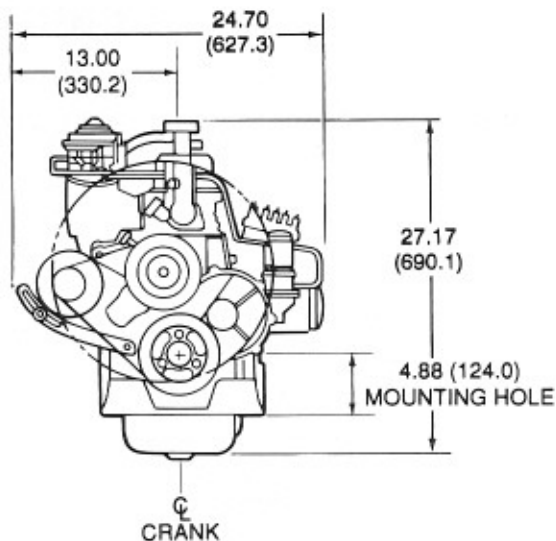
INDUSTRIAL ENGINE



OPTIONS

- **Fans**
 - High Mount
 - 4, 5, 6 Blade Suction
 - 5, 6 Blade Pusher
- **Flywheels**
 - 10", 11-1/2" Over Center Clutch
 - 12" Spring-Loaded Clutch
 - Automatic Transmission
- **Alternators**
 - 37, 40, 60, 70 Amp
 - 51 Amp w/Integral Regulator
- **Clutches**
 - 12" Spring-Loaded
- **Governors**
 - Velocity
 - Mechanical
 - Close Regulation Mech.
- **Housings**
 - SAE #3
 - SAE #4
 - Clutch Housing
- **Transmissions**
 - 4 Speed Manual
 - 2, Three-Speed Automatic
- **PTO**
 - 10", 11.5" O/C Clutch
 - 12" S.L. Clutch
- **Air Cleaners**
 - Dry Hat Type
 - Dry Offset Hat Type

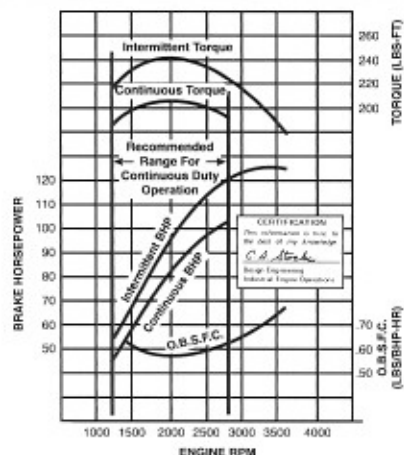
INSTALLATION DRAWINGS



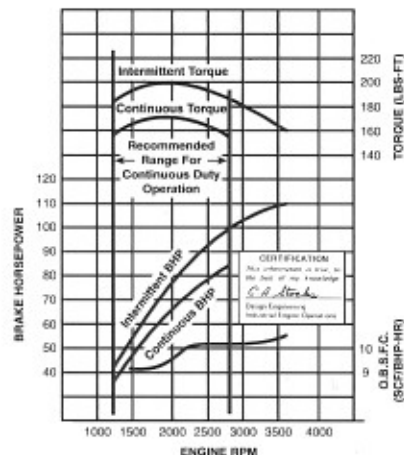
Specifications subject to change without notice.
Some Ford Engines are produced for Ford by other companies

POWER CURVES

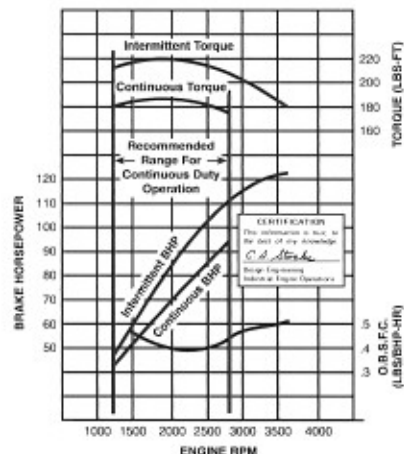
Gasoline:



Natural Gas



LP Gas



The Source for Power...
Worldwide™

Power Products Division
Geometric Results Incorporated
28333 Telegraph Road
Southfield, Michigan 48034
Phone: 1-800-833-4PPD

Ford Power Products
Geometric Results Deutschland GmbH
Stolberger Str. 315
D-50933 Köln, Germany